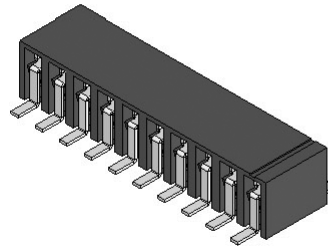


Female Header 2.0 mm 90° & SMT Series

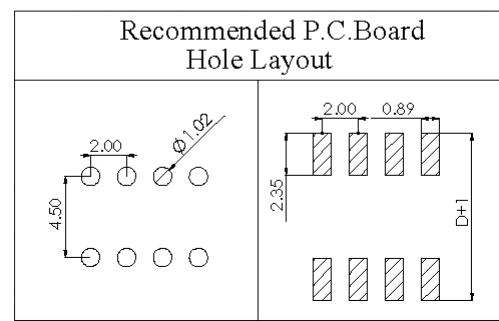
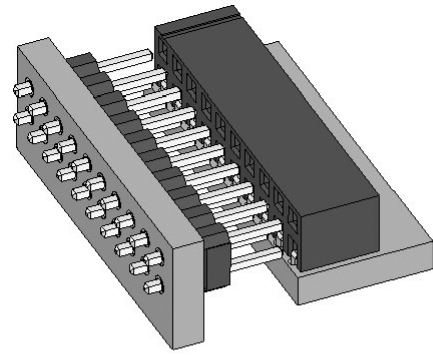
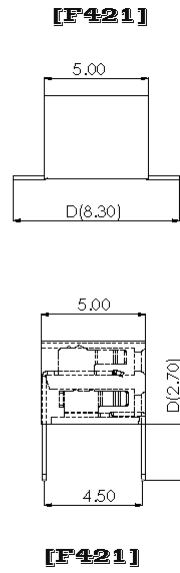
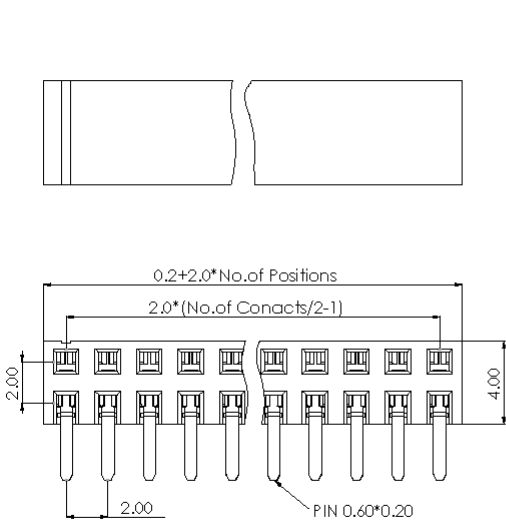
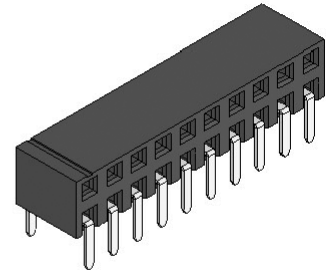
SPECIFICATIONS

Current Rating: 2 A
 Insulator Resistance: 3000 MOhm min.
 Contact Resistance: 20 mOhm max.
 Dielectric Withstanding: AC 500 V
 Operating Temperature: -40°C ~ +105°C
 Soldering Temperature: 260°C for 3~5 sec. max
 Contact Material: Phosphor Bronze
 Insulator Material: Polyester, UL 94V-0
 Standard: Nylon-6T
 Finish: Tin, Gold or Duplex Plated
 Standard: Gold Flash all over
 Note: Duplex Plating: Gold Plated on contact area, Tin on solder area

F421-MGN-D083-XX



F421-RGN-D027-XX



How to order

Unit: mm

Series	Connector Type	Contact Plating	Material	Pin Length mm	Number of Contacts
FXXX	- X	X	X	- DXXX	- XX
F421:F/H 2.00 H:5.00 Dual Row	R:Right Angle M:SMT Type	G:Gold Flash T: Tin Plated A:10U"Gold B:15U"Gold C:20U"Gold ©Duplex Plating D:Gold Flash/Tin (Standard:G)	A:PA46 N:Nylon-6T (Standard:N)	R-D D027 M-D D083	(04 TO 80 Contacts)